

LK (CD26F)

- 105°C 5000-10000 小时。5000-10000 hrs at 105°C .
- 长寿命，耐大纹波电流。Long life, high Ripple Current.
- 电子整流器，输入滤波用。Electronic Ballast, for input filtering.

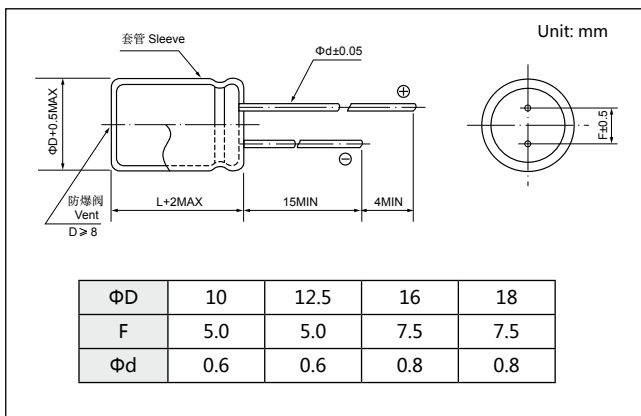


Miniature Mount

主要技术性能 Specifications

项目 Item	特性 Performance Characteristics																								
工作温度范围 Operating Temperature Range	-25~+105°C																								
额定电压范围 Rated Voltage Range	160~450V																								
标称电容量范围 Nominal Capacitance Range	1.0~220μF																								
标称电容量允许偏差 Capacitance Tolerance	±20%(+20°C, 120Hz)																								
漏电流 Leakage Current (+20°C, max)	I ≤ 0.04CV+100 (after 1 minutes , at 20°C)																								
损耗角正切值 (tgδ) Dissipation Factor (+20°C, 120Hz)	<table border="1"> <tr> <td>U_R(V)</td> <td>160</td> <td>200</td> <td>250</td> <td>350</td> <td>400</td> <td>450</td> </tr> <tr> <td>tgδ</td> <td colspan="3">0.10</td> <td colspan="3">0.12</td> </tr> </table>		U _R (V)	160	200	250	350	400	450	tgδ	0.10			0.12											
U _R (V)	160	200	250	350	400	450																			
tgδ	0.10			0.12																					
温度特性 Temperature Characteristics (Impedance ratio at 120Hz)	<table border="1"> <tr> <td>U_R(V)</td> <td>160</td> <td>200</td> <td>250</td> <td>350</td> <td>400</td> <td>450</td> </tr> <tr> <td>Z-25°C / +20°C</td> <td colspan="3">3</td> <td colspan="3">6</td> </tr> </table> <table border="1"> <tr> <td>Case Size</td> <td>Life Time(hrs)</td> </tr> <tr> <td>ΦD10×12.5</td> <td>5000</td> </tr> <tr> <td>ΦD10×16</td> <td rowspan="2">8000</td> </tr> <tr> <td>ΦD10×20</td> </tr> <tr> <td>ΦD ≥ 12.5</td> <td>10000</td> </tr> </table>		U _R (V)	160	200	250	350	400	450	Z-25°C / +20°C	3			6			Case Size	Life Time(hrs)	ΦD10×12.5	5000	ΦD10×16	8000	ΦD10×20	ΦD ≥ 12.5	10000
U _R (V)	160	200	250	350	400	450																			
Z-25°C / +20°C	3			6																					
Case Size	Life Time(hrs)																								
ΦD10×12.5	5000																								
ΦD10×16	8000																								
ΦD10×20																									
ΦD ≥ 12.5	10000																								
耐久性 Load Life	+105°C施加带额定纹波电流的额定电压对应规定时间，恢复 24 小时后： After applying rated voltage with specified ripple current for specified time at +105°C and then resumed 24 hours: 电容量变化率 Capacitance change : ±30% 初始测量值以内 ±30% of the initial measured value 漏 电 流 Leakage current : ≤初始规定值 ≤ the initial specified value 损耗角正切值 Dissipation factor : ≤ 3 倍初始规定值 ≤ 300% of the initial specified value																								
高温贮存 Shelf Life	+105°C，1000 小时贮存后，加额定工作电压处理 30 分钟，恢复 24 小时后： After storage for 1000 hours at +105°C, U _n to be applied for 30 minutes and then resumed 24 hours : 电容量变化率 Capacitance change : ±20% 初始测量值以内 ±20% of the initial measured value 漏 电 流 Leakage current : ≤初始规定值 ≤ the initial specified value 损耗角正切值 Dissipation factor : ≤ 2 倍初始规定值 ≤ 200% of the initial specified value																								

外形图及尺寸 Diagram of Dimensions



纹波电流修正系数 Multiplier for Ripple Current

频率系数 Frequency coefficient				
Frequency(Hz)	120	1K	10k	100k
Cap(μF)				
1~4.7	0.2	0.4	0.8	1.0
6.8~15	0.3	0.6	0.9	1.0
22~82	0.4	0.7	0.9	1.0
100~220	0.45	0.75	0.9	1.0

温度系数 Temperature coefficient			
Temperature (°C)	+65	+85	+105
Coefficient	2.1	1.7	1.0

额定值标准 Standard Size

U _R (Surge Voltage) Code(V)	Capacitance (μF)	Size ΦD×L (mm)	Rated ripple current 105°C, 120Hz (mArms)	Max ESR 20°C, 120Hz (Ω)	Typ ESR 20°C, 120Hz (Ω)
160 (200) 2C	10	10×16	320	13.3	7
	22	10×20	500	6	3.5
	33	10×20	650	4	2.5
	47	10×20	750	2.8	1.7
	68	12.5×20	1180	2	1.1
		16×20	1180	2	1.1
	100	12.5×25	1420	1.3	0.7
		16×20	1420	1.3	0.7
	150	16×25	1890	0.9	0.48
220	18×25	2370	0.6	0.32	
200 (250) 2D	4.7	10×12.5	200	28.2	15
	6.8	10×16	220	19.5	10.5
	10	10×16	320	13.3	7
	22	10×20	500	6	3.2
	33	10×20	650	4	2.2
	47	12.5×20	980	2.8	1.5
	68	12.5×25	1300	2	1.1
		16×20	1300	2	1.1
	100	16×20	1420	1.3	0.7
150	16×25	1890	0.9	0.48	
250 (300) 2E	4.7	10×12.5	200	28.2	15
	6.8	10×16	250	19.5	10.5
	10	10×16	320	13.3	7
	22	10×20	500	6	3.2
	33	12.5×20	800	4	2.2
	47	12.5×25	980	2.8	1.5
	68	16×20	1300	2	1.1
	100	16×25	1530	1.3	0.7
	150	18×25	1940	0.9	0.48
350 (400) 2V	1.5	10×12.5	100	106	60
	2.2	10×12.5	140	72.4	41
	3.3	10×12.5	180	48.3	28
	4.7	10×16	220	33.9	19
	5.6	10×16	250	28.4	16
	6.8	10×20	280	23.4	13
	10	10×20	350	15.9	9
	22	12.5×20	650	7.2	4.1
	33	16×20	900	4.8	2.7
	47	16×20	1080	3.4	1.9
	68	18×25	1470	2.3	1.3

U _R (Surge Voltage) Code(V)	Capacitance (μF)	Size ΦD×L (mm)	Rated ripple current 105°C, 120Hz (mArms)	Max ESR 20°C, 120Hz (Ω)	Typ ESR 20°C, 120Hz (Ω)
400 (450) 2G	1	10×12.5	70	160	60
	1.5	10×12.5	100	107	40
	2.2	10×12.5	140	72.4	27
	3.3	10×16	180	48.3	19
	4.7	10×16	220	33.9	13.5
	5.6	10×20	250	28.4	11.5
	6.8	10×20	280	23.4	9.5
	10	10×20	350	15.9	6.4
	15	12.5×20	550	10.6	4.3
	22	12.5×25	760	7.2	2.9
		16×20	760	7.2	2.9
	33	16×20	900	4.8	1.9
	47	16×25	1180	3.4	1.4
68	18×25	1470	2.3	0.9	
450 (500) 2W	2.2	10×16	150	72.4	29
	3.3	10×16	180	48.3	19
	4.7	10×20	220	33.9	13.5
	5.6	10×20	250	28.4	11.5
	6.8	10×20	280	23.4	9.5
	10	12.5×20	450	15.9	6.5
	15	12.5×25	600	10.6	4.3
	22	16×20	730	7.2	2.9
	33	16×25	980	4.8	1.9
47	18×25	1200	3.4	1.4	

可根据客户需要定制产品 Customer products are available on request.